

NBS-Tiltmast

3-piece galvanised steel 'tilt-over' mast

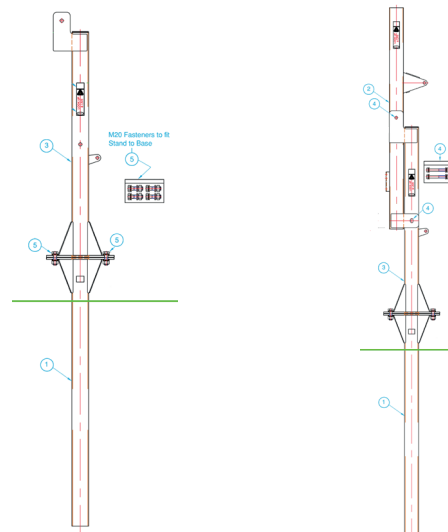
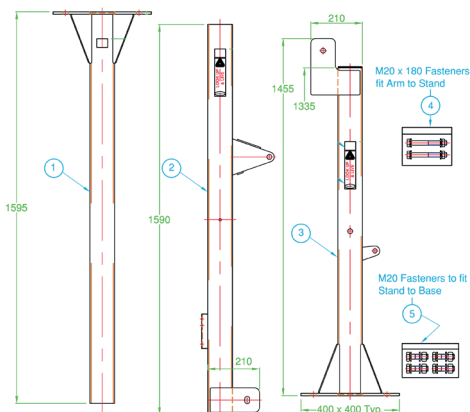
In-ground mount base + above ground base + tilt-arm



NBS-Tiltmast fitted with additional accessory NBS-BJack hydraulic dual-action jack and NBS-RBW1500 hand-crank winch.

Specifications

Construction	3-piece galvanised steel finish fully welded construction including: in-ground base, above-ground tilt base, tilt arm and fixing/locking bolts
In-ground base dimension <i>To be concreted into ground</i>	1.595m overall with 400mm x 400mm x 10mm thick plate and 4 x reinforcement gussets.
Above-ground base dimensions <i>Fits onto in-ground base</i>	1.455m overall with 400mm x 400mm x 10mm thick plate, 4 x reinforcement gussets, L-pivot fixing plates, bottle jack base fixing bracket and locking bolt hole
Tilt-arm dimension	1.590m overall with locking bolt plates, bottle jack top fixing bracket and winch mount plate
Overall height assembled <i>without extension pole</i>	2.15 metres
Included fixings	2 x M20 x 180mm HT8.8 galvanised bolts - pivot arm to above ground securing + pivot arm locking bolt 4 x M20 x 70mm HT8.8 galvanised bolts - inground to above ground base securing
Wind Load rating - Max.	160 kph / 99mph
Wind Loading capacity	0.262 m ² (equivalent to ~40 kg force at 160 km/h wind speed)
Weight - <i>excl. accessories</i>	111 kg
Extension arm capability	88.9mm SHS x 3.5mm W.T - 8.0m max.
Suitable accessories	See following page for all suitable accessories <i>order separately</i>



NBS-Tiltmast

3-piece galvanised steel 'tilt-over' mast

In-ground mount base + above ground base + tilt-arm



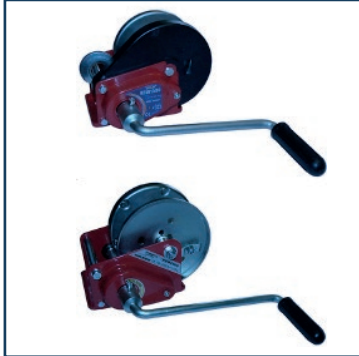
Suitable base mount accessories - order separately



SKU: NBS-BJack
SKU: NBS-BJack-2

8 Ton hydraulic bottle jack (single action or dual)

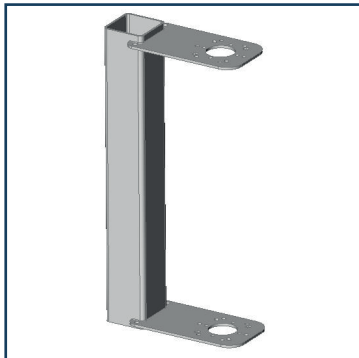
Units include fixings for base and tilt arm. Fixing brackets on tilt arm and base supplied as standard (welded)



SKU: NBS-RBW1500
SKU: NBS-RBW2500

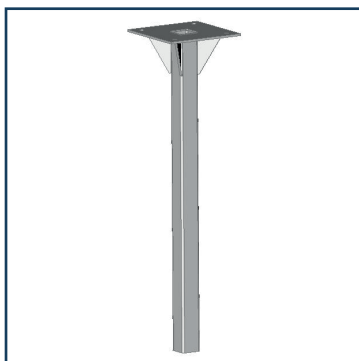
Hand-crank brake winch and cable
681kg or 1135kg rated

Units include fixings for above ground base. Fixing brackets on above-ground base supplied as standard with threaded mounts (welded)



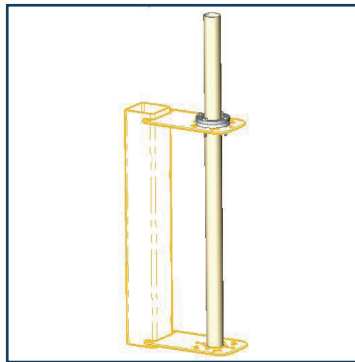
SKU: NBS-Rotatorcarriage
SKU: NBS-Rotatorcarriage1

Galvanised steel rotator or antenna mount 'sliding' bracket for NBS-Tiltmast extension pole - 700mm or 1.0m
Can be supplied in custom powdercoated colours on special request, please note additional cost will be incurred.



SKU: NBS-2865/G

Replacement galvanised steel in-ground mount base for NBS-Tiltmast if moving above-ground assembly.
Requires concrete securing into suitable ground. (source separately)



SKU: NBS-RC Bush Kit

Rotator carriage pole top bush kit for rotator support
Pre-drilled mounting holes for carriage
Includes 4 x M8 fixing bolts
Can be supplied in custom powdercoated colours on special request, please note additional cost will be incurred.



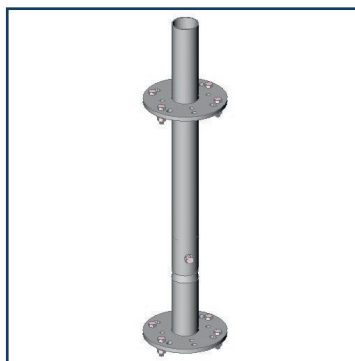
SKU: NBS-Toppullemount

Galvanised pulley mount for NBS-RBW series hand-crank winch - 120mm diameter pulley wheel
Slides onto top of extension pole (source separately)



SKU: NBS-TEM

Galvanised steel fixed-top equipment mount assembly - 850mm with 48mm O.D. x 694mm pole
Requires 88.9mm SHS extension pole



SKU: NBS-RC Mount Kit

Rotator carriage pole mount kit for lighting/surveillance equipment or antennas
Pre-drilled mounting holes for carriage
Includes 8 x M8 fixing bolts and 1 x M8 pole locking bolt
Can be supplied in custom powdercoated colours on special request, please note additional cost will be incurred.