

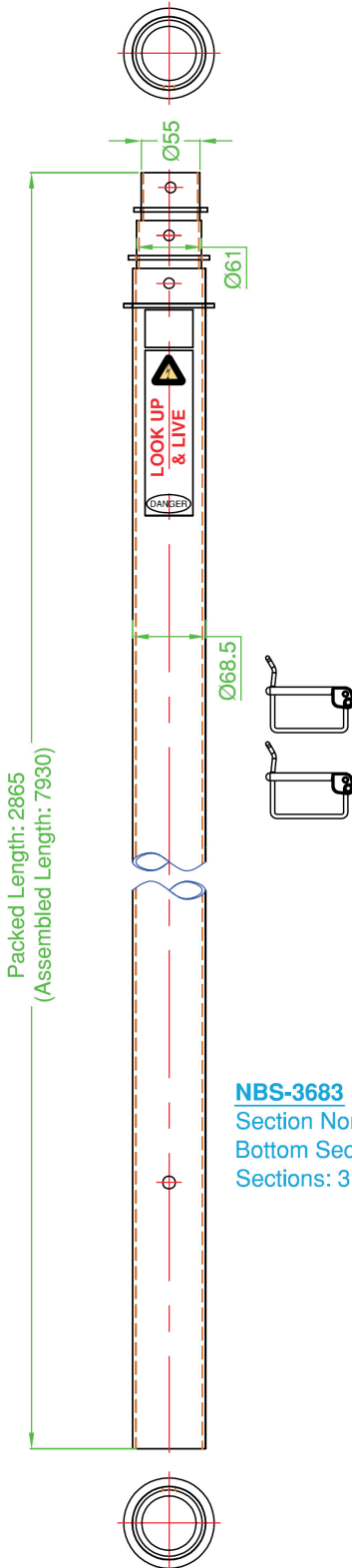
NBS-3683

3-section anodised aluminium telescopic mast

68mm O.D. base

2.865 metres - Packed

7.93 metres - Extended



NBS-3683
Section Nom. Length: 3 mtr
Bottom Section: Ø68
Sections: 3

Specifications

Construction	Clear anodised aluminium telescopic sections with section stop guides and 2 x passivated D-locking clip
Number of Sections	3
Retracted Height	2.865 metres / 9.4 ft
Extended Height	7.93 metres / 26.02 ft
Weight - excl. D-clips	10.0 kg / 22.05 lbs
Wind Load rating - Max.	160 kph / 99mph - with each section guy wire supported
Top section load rating	6.0 kg / 13.23 lbs
Max. surface area	0.2m ²
Base Section Dimension	O.D: 68mm / 2.67"
2nd Section Dimensions	O.D: 61mm / 2.40"
3rd Section Dimensions	O.D: 55mm / 2.16"
Supplied Accessories	2 x gold passivated section D-clips

Required Accessories - order quantity separately to suit 3/4 configuration

Guy Wire - High strength nylon <i>Single units, order by quantity required either 3 or 4 at each section For stainless steel see NBS-GW series</i>	NBS-GW5 - 5 metre guy wire for base section NBS-GW10 - 10 metre guy wire for 2nd section NBS-GW15 - 15 metre guy wire for top sections
Anodised Aluminium Guy Rings - free rotating <i>single unit required - per mast</i>	NBS-AGR69 - Suits 68mm O.D. base section NBS-AGR62 - Suits 61mm O.D. 2nd section NBS-AGR56 - Suits 55mm O.D. 3rd section

Optional Accessories - order separately to suit configuration

Mount Bases	NBS-68WStand - drive-on/underwheel static stand NBS-68TWStand - drive-on/underwheel tilt stand NBS-68TBMount - tow-bar socket mount NBS-BS68 - static flat roof/ground stand
Base Extensions	NBS-4761-MK - 4 metre x 76mm O.D. base extension kit with guy ring and flat ground/flat roof mount base
Antenna/Equipment mounts	NBS-MT50 - 1.5m top accessory mount tube 50mm O.D., includes 'D' locking clip
Turnbuckles	NBS-9640-2 - 8mm 316 stainless steel (toggle & toggle) turnbuckle