

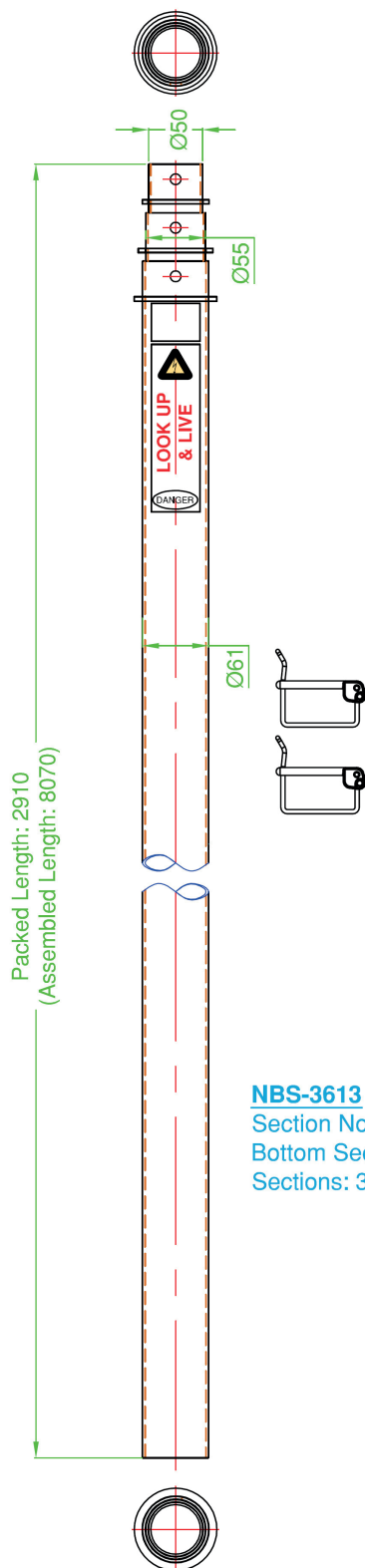
NBS-3613

3-section anodised aluminium telescopic mast

61mm O.D. base

2.910 metres - Packed

8.07 metres - Extended



Specifications

Construction	Clear anodised aluminium telescopic sections with section stop guides and 2 x passivated D-locking clip
Number of Sections	3
Retracted Height	2.91 metres / 9.55 ft
Extended Height	8.07 metres / 26.48 ft
Weight - excl. D-clips	7.0 kg / 15.43 lbs
Wind Load rating - Max.	160 kph / 99mph - with each section guy wire supported
Top section load rating	5.0 kg / 11.02 lbs
Max. surface area	0.2m ²
Base Section Dimension	O.D: 61mm / 2.40"
2nd Section Dimensions	O.D: 55mm / 2.16"
3rd Section Dimensions	O.D: 50mm / 1.96"
Supplied Accessories	2 x gold passivated section D-clips

Required Accessories - order quantity separately to suit 3/4 configuration

Guy Wire - High strength nylon <i>Single units, order by quantity required either 3 or 4 at each section For stainless steel see NBS-GW series</i>	NBS-GR5 - 5 metre guy wire for base section NBS-GR10 - 10 metre guy wire for middle section NBS-GR15 - 15 metre guy wire for top sections
Anodised Aluminium Guy Rings - free rotating <i>single unit required - per mast</i>	NBS-AGR62 - Suits 61mm O.D. bottom section NBS-AGR56 - Suits 55mm O.D. 2nd section NBS-AGR51 - Suits 50mm O.D. 3rd section

Optional Accessories - order separately to suit configuration

Mount Bases	NBS-61WStand - drive-on/underwheel static stand NBS-61TWStand - drive-on/underwheel tilt stand NBS-61TBMount - tow-bar socket mount NBS-BS61 - static flat roof/ground stand
Antenna/Equipment mounts	NBS-MT45 -1.5m top accessory mount tube 45mm O.D., includes 'D' locking clip
Turnbuckles	NBS-9640-2 8mm 316 stainless steel (toggle & toggle) turnbuckle